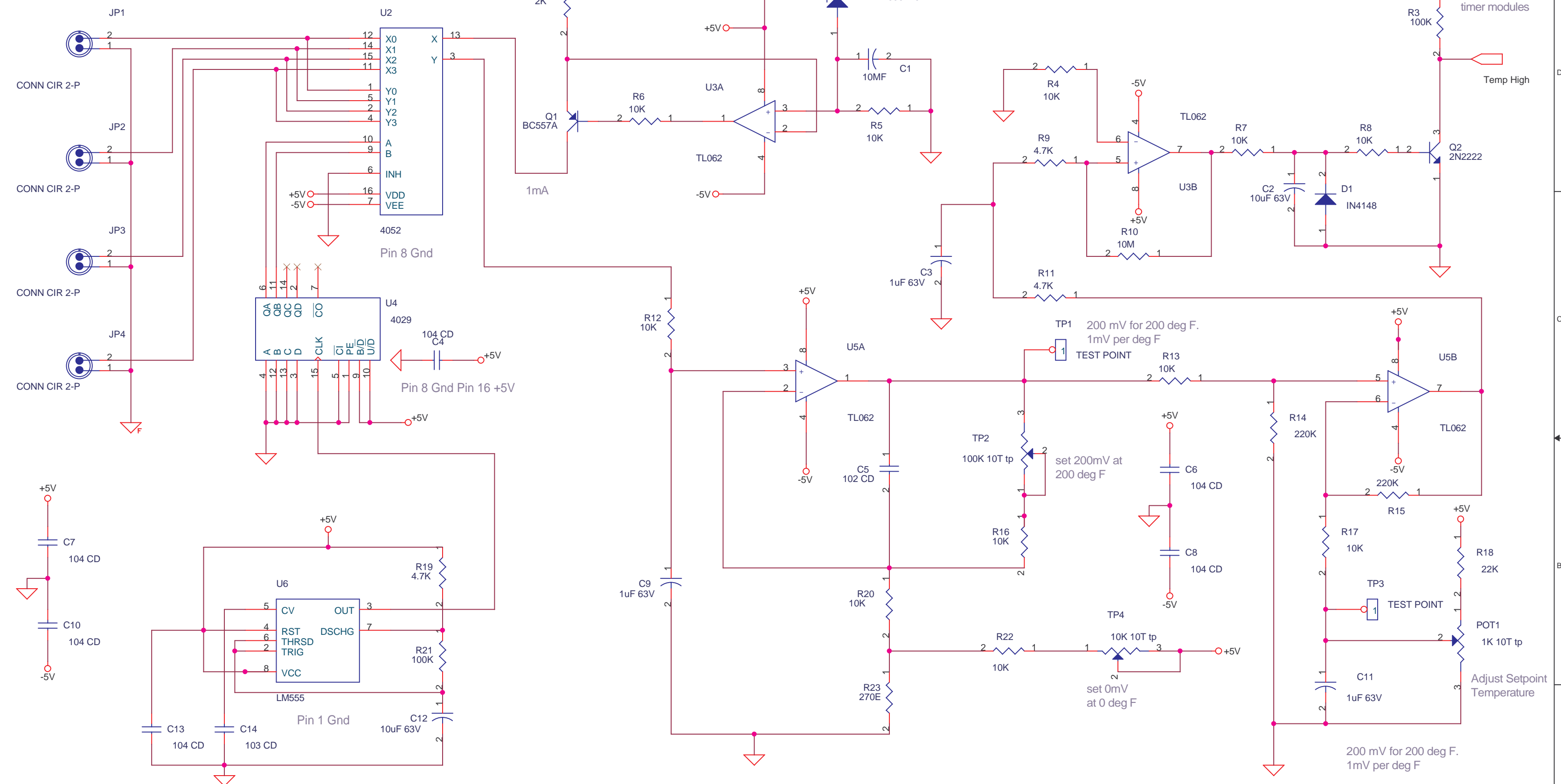


connect 4 Nos 2 wire RTD temperature sensors here.



use 74HCT40XX chips in place of CD40XX for only 5V and high speed designs.
 put 104 CD cap for all ICs from positive to negative close to IC, even if omitted in circuit, for opamps on dual supply two caps.
 unused inputs of logic and opamps pull up or down to avoid oscillations and noise. connect supply of all chips if not mentioned.
 "analog ground" and "digital ground" must be linked at power supply only, avoid loops, let grounds radiate from a ground plane.
 use MFR 1% for all Resistors, 33E means 33 ohms, 22K means 22 kilo ohms, 1M is 1 megohm. 10T tp means ten turn trimpot.
 '474 CD' is 47 with 4 zeros pF, 470000 pF, 470 nF, 0.47uF. "pl" is plastic, low leakage multilayer.

delabs

<http://delabs.topcities.com/>
<http://delabs.netfirms.com/>
<http://delabs.tripod.com/>
<http://geocities.com/delabs/>
<http://members.fortunecity.com/delabs/>

delabs circuits and technologies		
Title RTD Pt-100 Four Point Alarm		
Size B	Document Number del90001	Rev 1
Date: Friday, August 20, 2004	Sheet 1	of 1