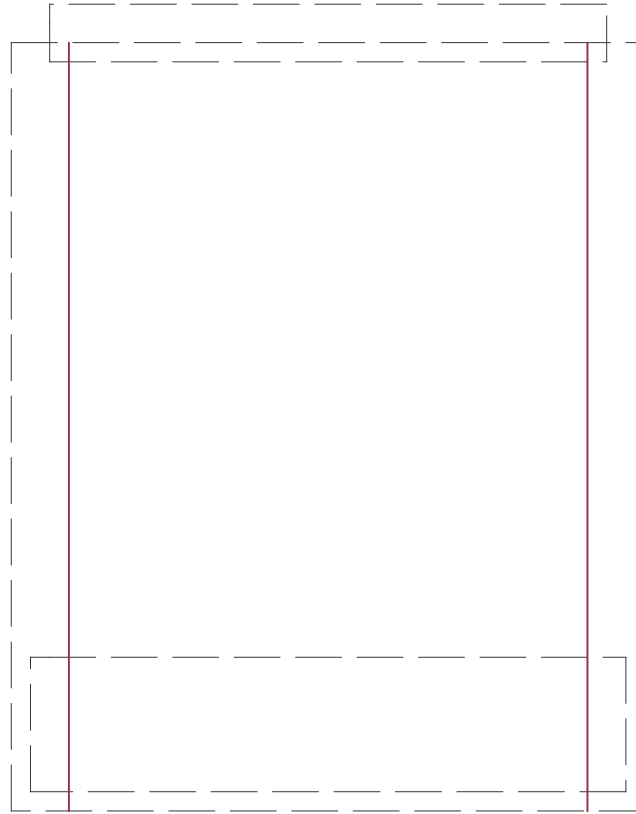


VCC 4 PINS IN HI IN LO AS PAIRS TOP AND BOTTOM PINS
 GND 4 PINS 20 LINES

160 MM



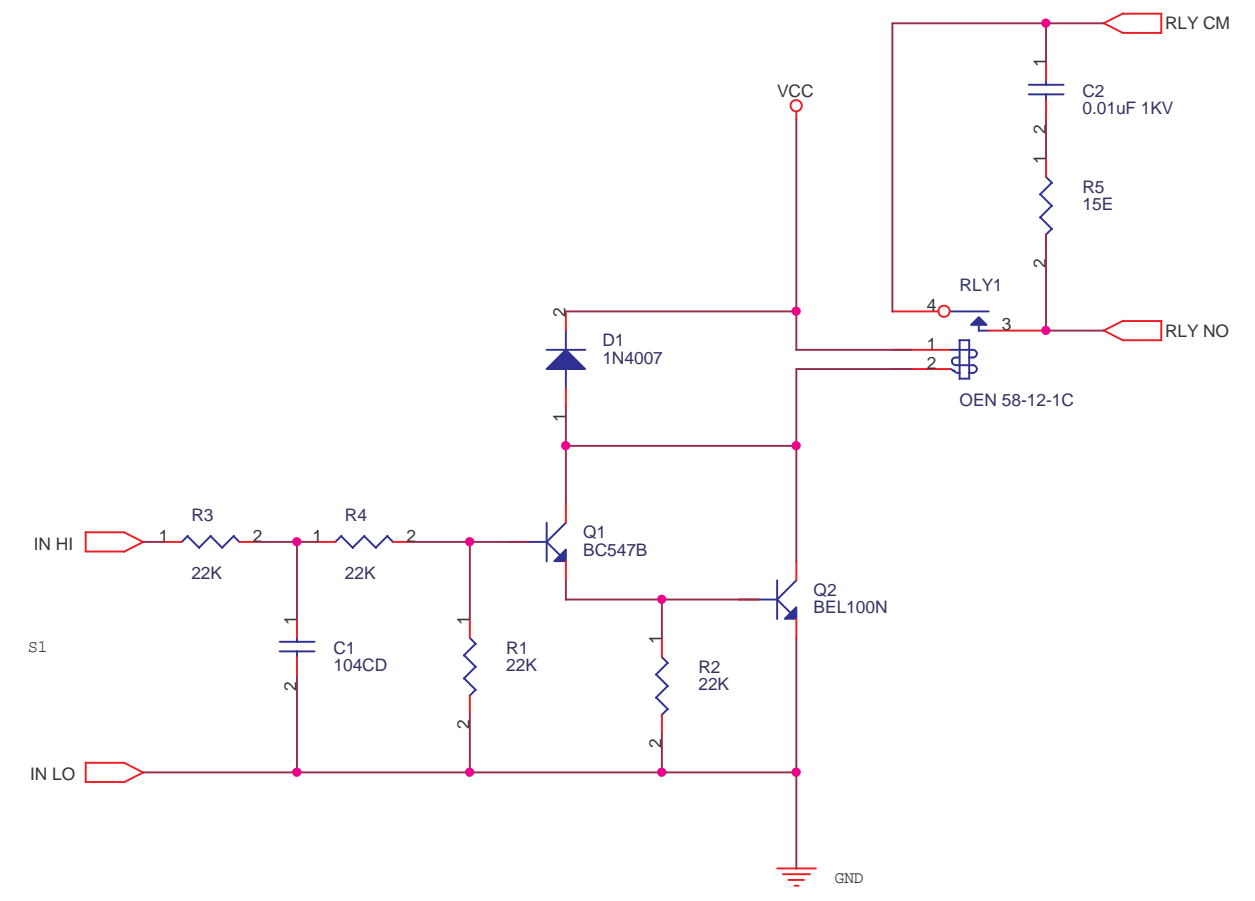
ELMEX TERMINALS

100MM

HAVE 4 MOUNTING HOLES

10 ELMEX TERMINALS FOR 10 RELAYS NO
 4 ELMEX TERMINALS FOR COMMON

FROM THIS END AT 1 GRID (1/10)" 2.54MM
 IS MOUNTING HOLE FOR EURO CONNECTOR
 AT 2 GRIDS IS THE FIRST LINE OF PADS
 AT 4 GRIDS SECOND LINE OF PADS



TEN CIRCUITS AS SHOWN ABOVE ARE TO BE ON THE CARD

Title		
EUROCARD FOR RELAY OUTPUTS		
Size	Document Number	Rev
B	98SPCT07	0
Date:	Sunday, August 17, 2003	Sheet 1 of 1