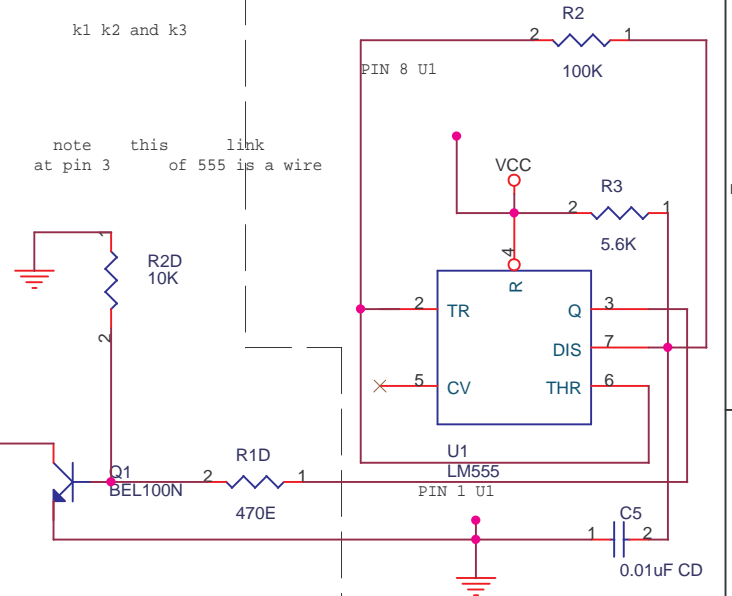


CIRCUIT UNDER DASHED LINE IS DISPLAY SUB PCB
 DISPLAY SUB PCB AND MAIN PCB ARE LINKED BY
 ONE 30 PIN HEADER BERG AND TWO SEVEN PIN HEADERS
 k1 k2 and k3



THIS DOCUMENT IS A CONTROLLED COPY
 AND SHOULD NOT BE GIVEN FOR XEROX

delabs Technologies
 Electronic Product and Process Design
 san@delabs.net
 ananth@dapj.net
 delabs.net
 dapj.com

Size B	Document Number ST05_1	Rev 2
Date: Monday, September 01, 2003	Sheet 1 of 2	