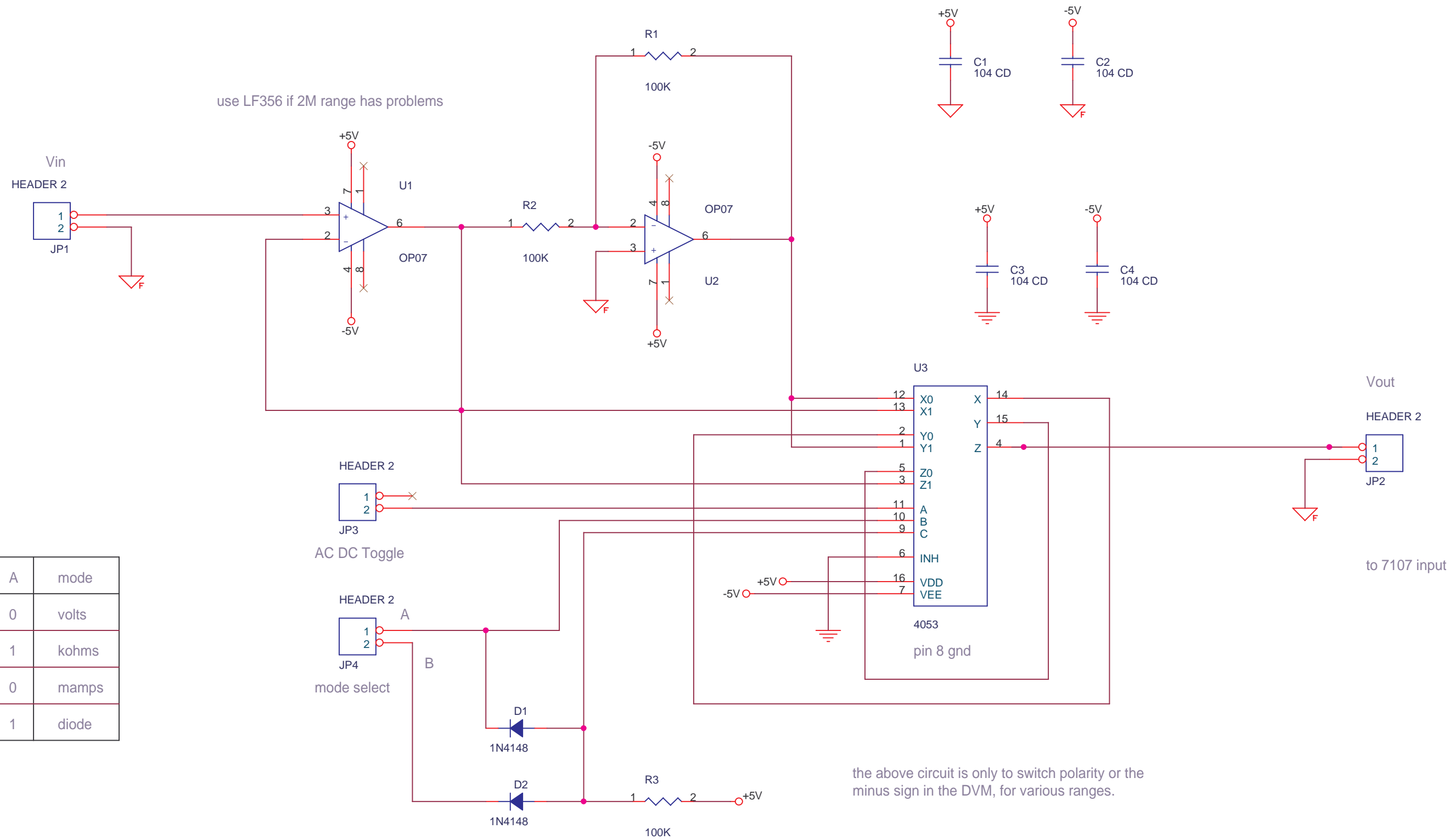


B	A	mode
0	0	volts
0	1	kohms
1	0	mamps
1	1	diode



put 104 CD cap for all ICs from positive to negative close to IC, even if omitted in circuit, for opamps on dual supply two caps.  
 unused inputs of logic and opamps pull up or down to avoid oscillations and noise. connect supply of all chips if not mentioned.  
 "analog ground" and "digital ground" must be linked at power supply only, avoid loops, let grounds radiate from a ground plane.  
 use MFR 1% for all Resistors, 33E means 33 ohms, 22K means 22 kilo ohms, 1M is 1 megohm. 10T Trimpot means like 10 turn bourns.  
 '474 CD' is 47 with 4 zeros pF, 470000 pF, remove 3 zeros 470 nF, shift decimal 3 places 0.47uF. "pl" is plastic, low leakage multilayer.

<http://delabs.topcities.com/>  
<http://delabs.netfirms.com/>  
<http://delabs.tripod.com/>  
<http://geocities.com/delabs/>  
<http://members.fortunecity.com/delabs/>

delabs circuits and technologies		
Title Buffered Inverter		
Size B	Document Number del20016	Rev 1
Date: Wednesday, June 02, 2004	Sheet 1	of 1