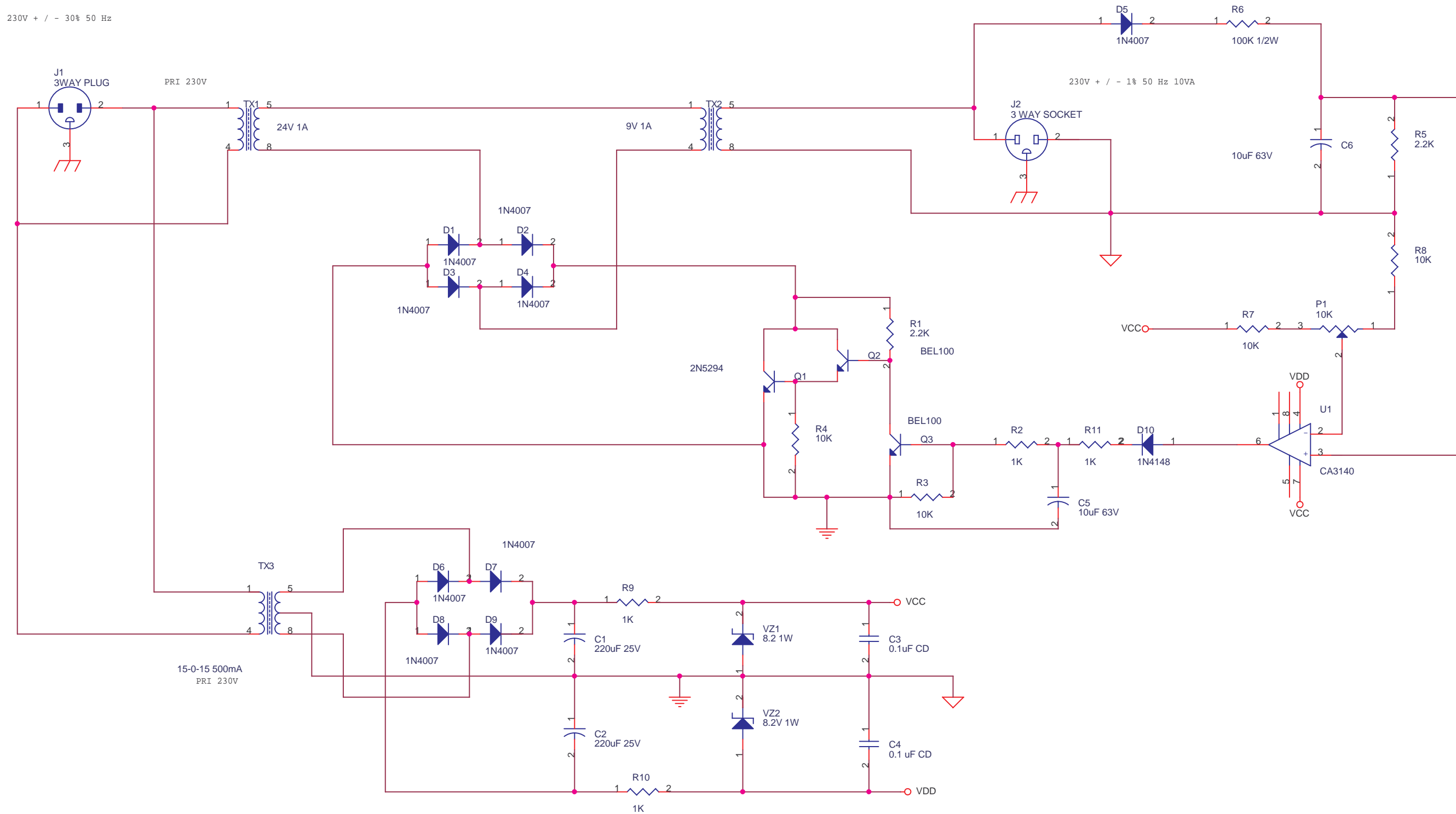


230V + / - 30% 50 Hz



CIRCUITS PROVIDED BY ANANTHA NARAYAN DELABS ARE FOR EDUCATIONAL PURPOSE ONLY.
 THE CIRCUITS ARE NOT PROVEN WORKING DESIGNS BUT CAN BE EXPERIMENTED UPON.
 THE USER OF THIS CIRCUIT WILL EXPERIMENT/APPLY/BUILD PROJECTS AT HIS OWN RISK.

delabs Technologies
 Electronic Product and Process Design
 san@delabs.net
 ananth@dapj.net
 delabs.net
 dapj.com

| | | |
|----------------------------------|---------------------------------|-----------|
| Size B | Document Number DACT0011.SCH | Rev 00 |
| Date: Sunday, August 10, 2003 | Sheet 1 of 1 | |