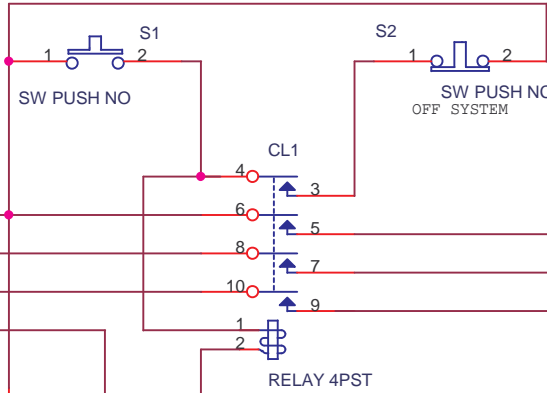
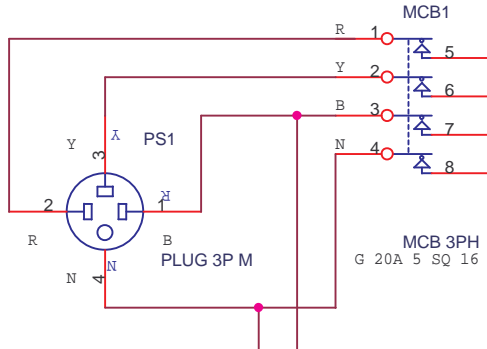
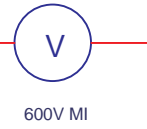


TRONICS TRON-316-6
3 PHASE 16 AMPS PLUG/SOCKET SET

ON SYSTEM



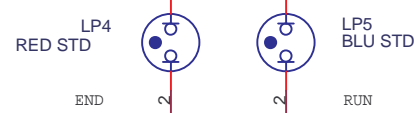
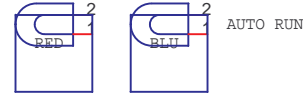
MTR1



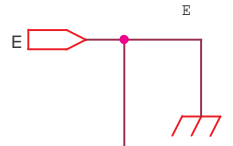
MCB 3PH
G 20A 5 SQ 16

K1
3ELMEX50A

24B FLASHING LAMPS



TERMINAL ON SOCKET

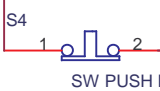


TRX1
12-0-12 3A
UNIVERSAL

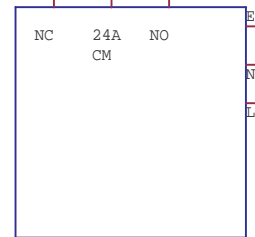
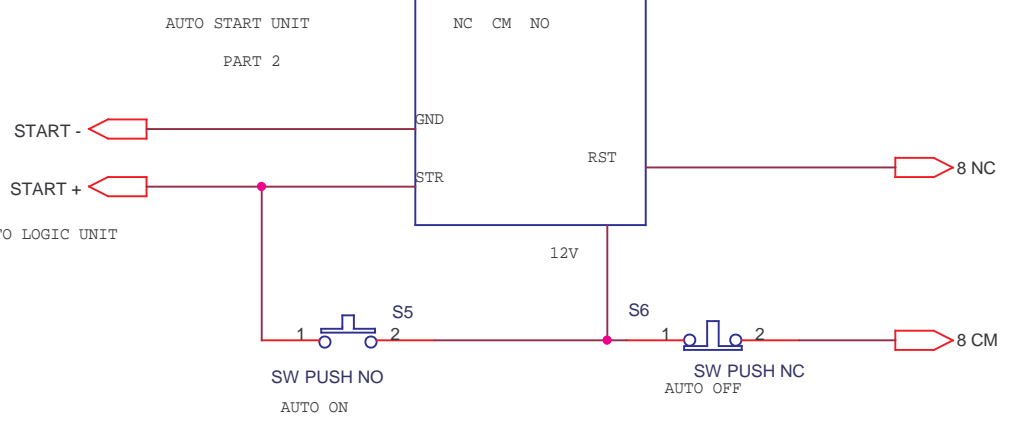
ILU LAMP
SW PUSH NO



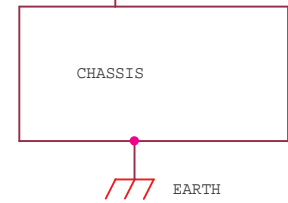
K2
ELMEX 5A
ILU LAMP



DOOR SW



AUTO START UNIT
PART 1



SIGMA PROCESS CONTROL TECHNOLOGIES PVT LTD

#2456, 17TH 'E' CROSS,
9TH MAIN, II STAGE, BANASHANKARI,
BANGALORE 560 070 PH:6641586/648863

Title
PANEL WIRING OF ULTI-HIVAC UNIT

Size B Document Number 98SPCT21.SCH Rev 00

Date: Wednesday, August 20, 2003 Sheet 1 of 1