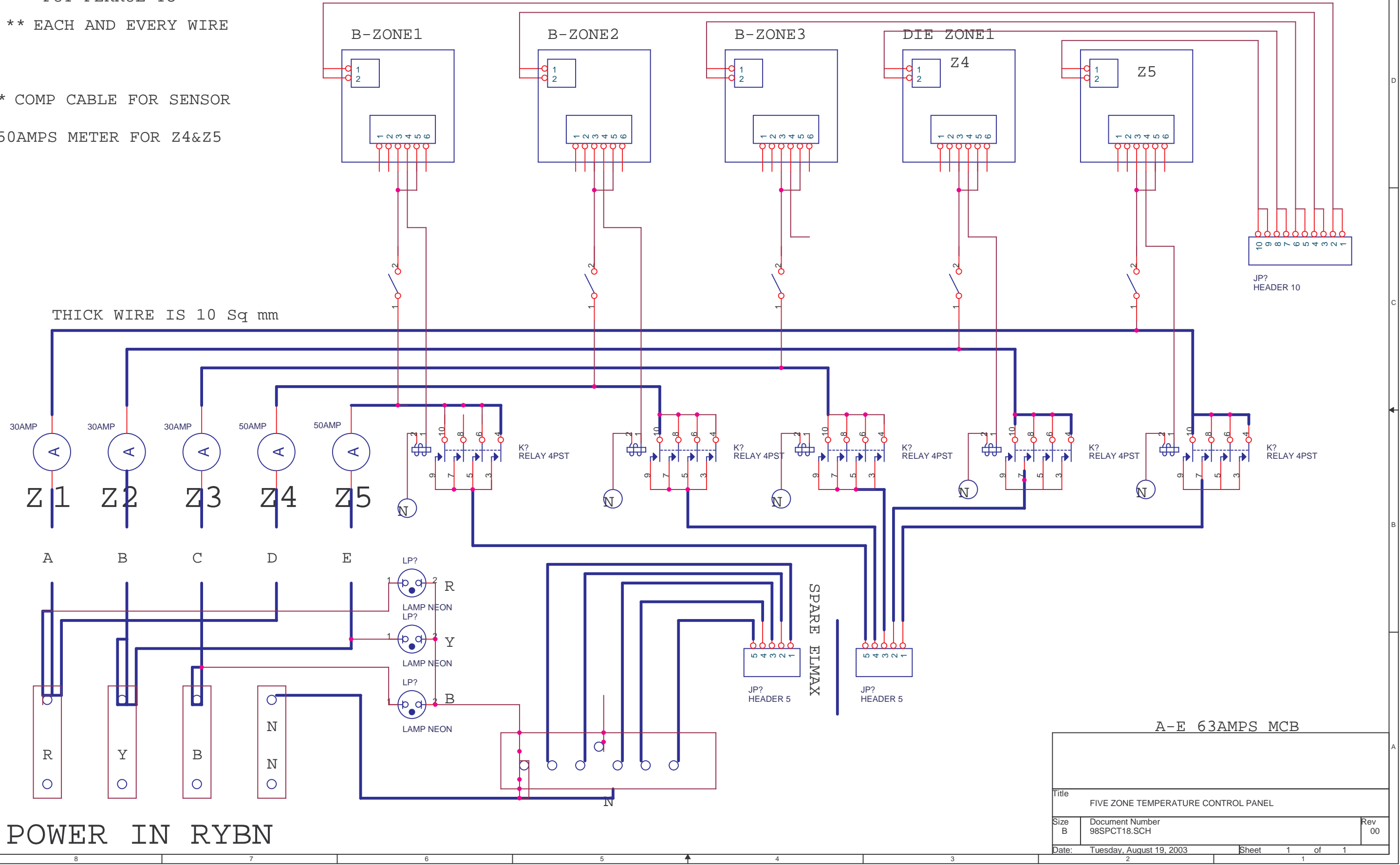


** PUT FERRUL TO
 ** EACH AND EVERY WIRE
 ** COMP CABLE FOR SENSOR
 50AMPS METER FOR Z4&Z5

*** ISOLATE SENSOR CABLE FROM MAINS ***

DIE ZONE2



POWER IN RYBN

A-E 63AMPS MCB		
Title	FIVE ZONE TEMPERATURE CONTROL PANEL	
Size	Document Number	Rev
B	98SPCT18.SCH	00
Date:	Tuesday, August 19, 2003	Sheet 1 of 1