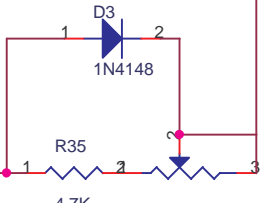
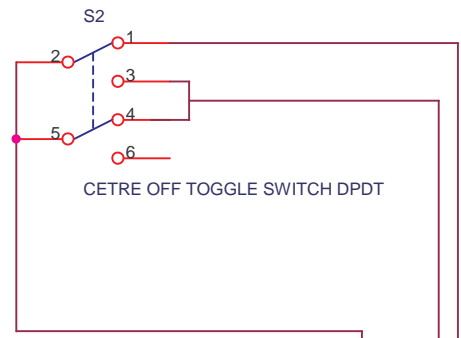
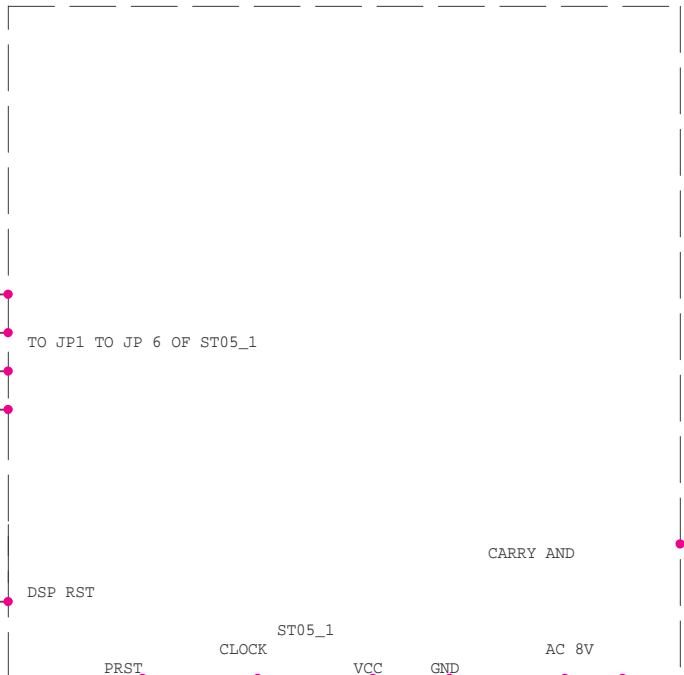
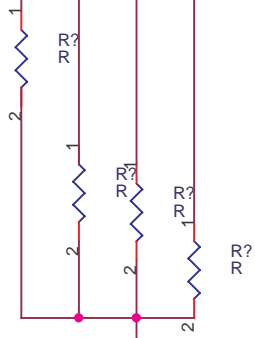
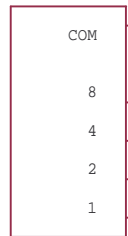
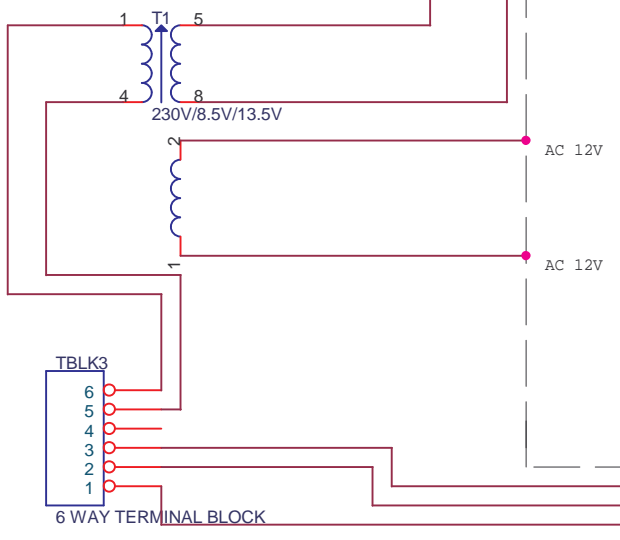


ALL THUMBWHEELS CONNECT AS SHOWN

TW1 TO TW6



THIS IS A EXTERNAL RESET OPTION



delabs Technologies
 Electronic Product and Process Design
san@delabs.net
ananth@dapj.net

delabs.net
dapj.com

Size B	Document Number ST05_3	Rev 0
Date: Monday, September 01, 2003	Sheet 3 of 3	