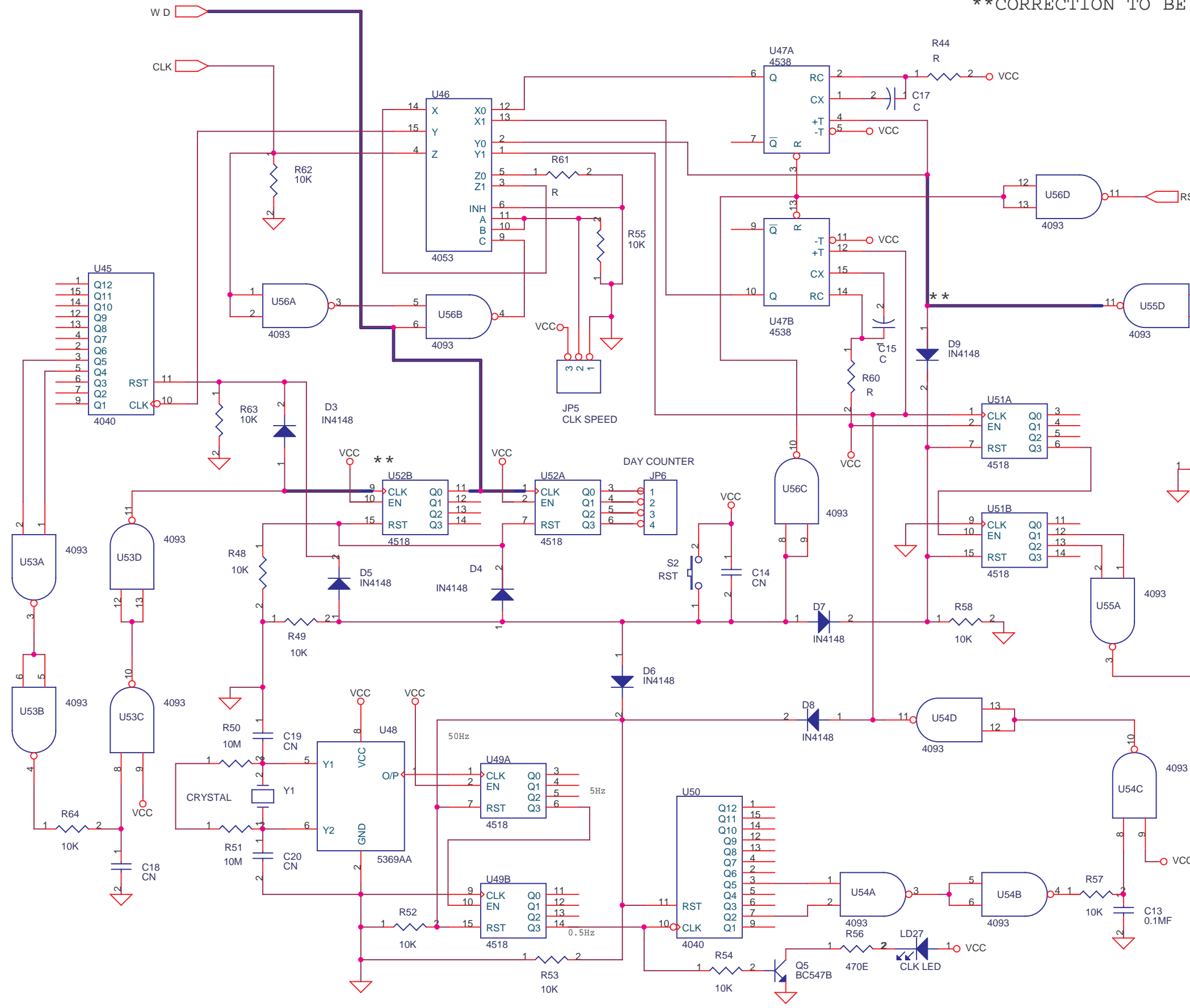


\*\*CORRECTION TO BE DONE ON BOARD



CLK  
RST  
RST SWITCH  
DAY COUNTER

DECOUPLING CAPACITORS FOR ALL ICs

- U45-56
- R48-64
- C13-20
- Z3-
- D3-9
- JP5-JP6
- Q5-Q5
- LD27-27
- LS2-
- S2-2
- Y1-1

SIGMA TECHNOLOGIES		
Title SBM_ESM		
Size B	Document Number 99SPCT05.SCH	Rev 1
Date: Wednesday, September 17, 2003	Sheet 5	of 8