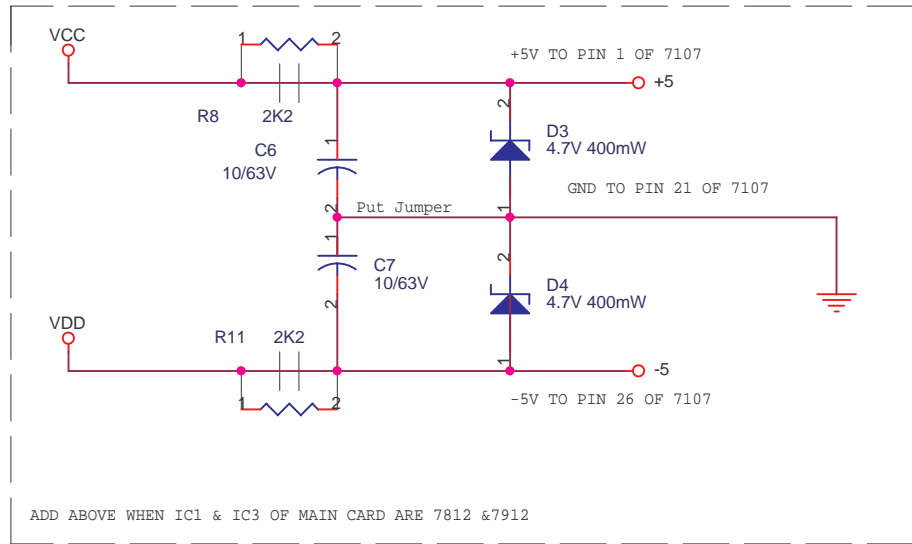
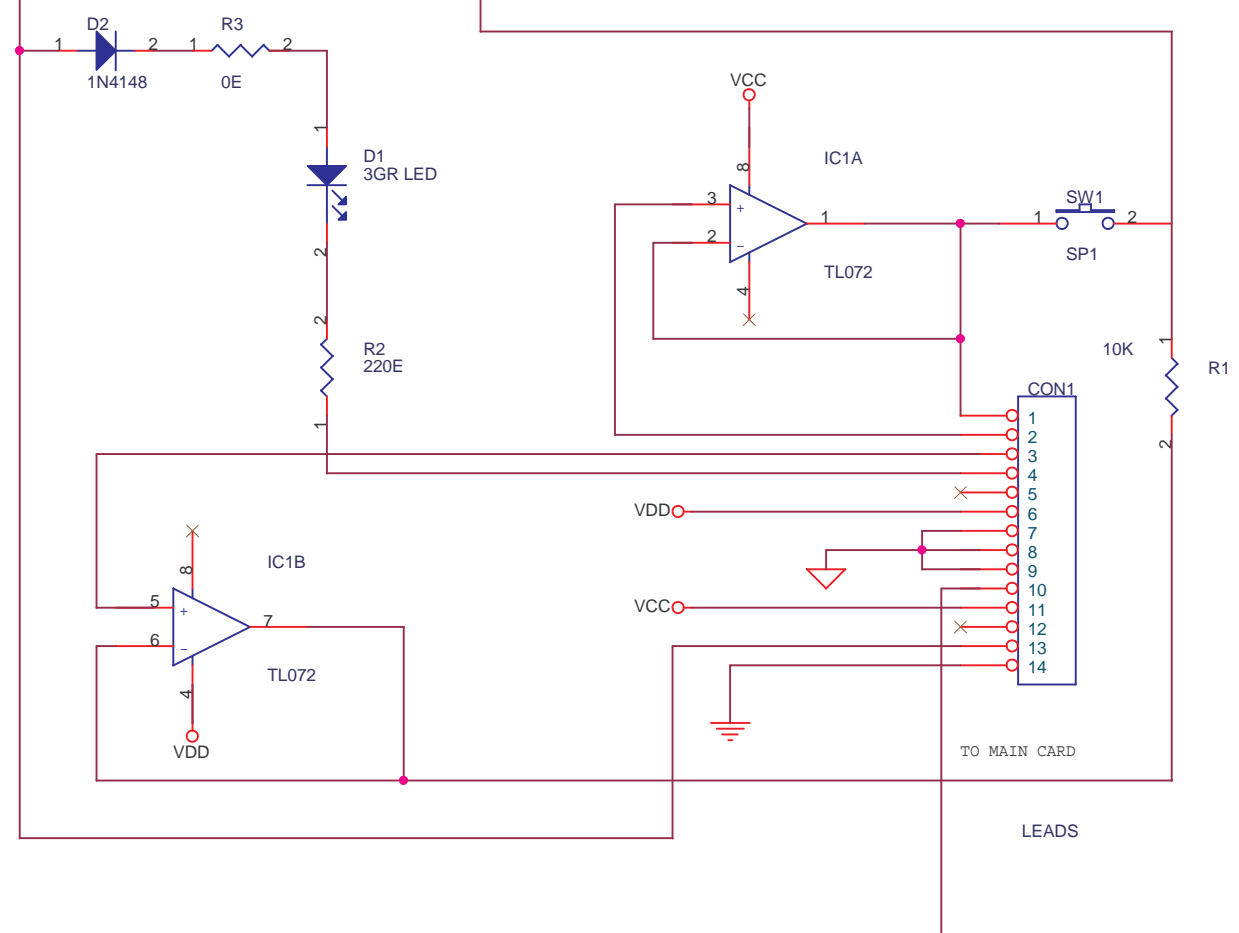
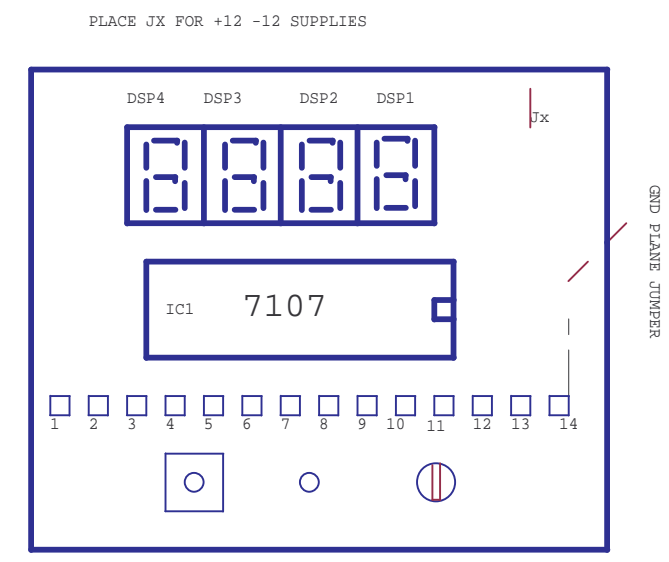
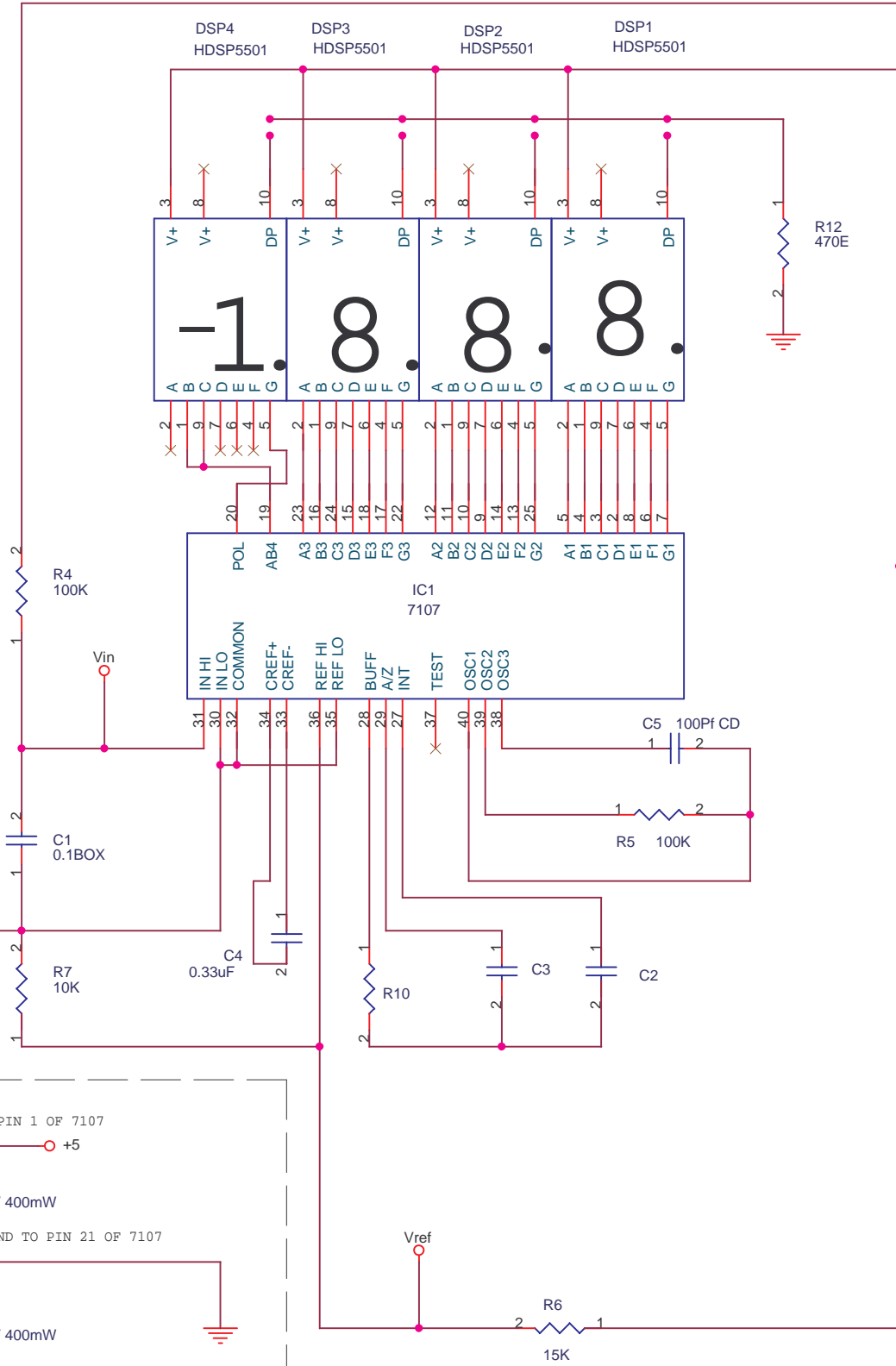


Reading = (Vin / Vref) \* 1000 Counts

Vref	1.00V	100mV
R10	470K	47K
C2	0.22uF	0.22uF
C3	0.047uF	0.47uF
FS	1.999V	199.9mV



ADD ABOVE WHEN IC1 & IC3 OF MAIN CARD ARE 7812 & 7912



**delabs Technologies**  
Electronic Product and Process Design

san@delabs.net  
ananth@dapj.net

delabs.net  
dapj.com

Size B	Document Number STC1000C.SCH	Rev 00
Date:	Sunday, August 24, 2003	Sheet 1 of 1