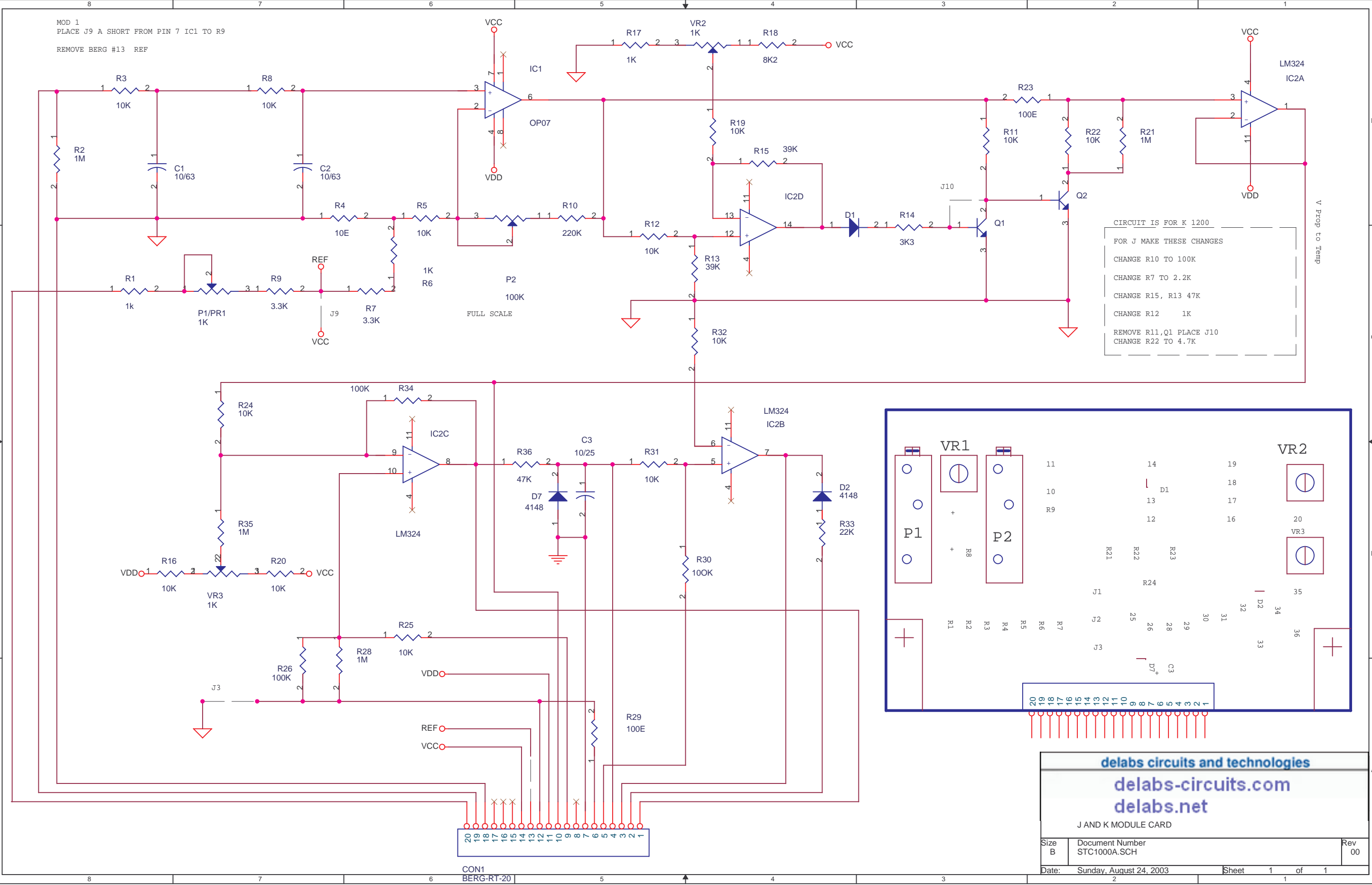
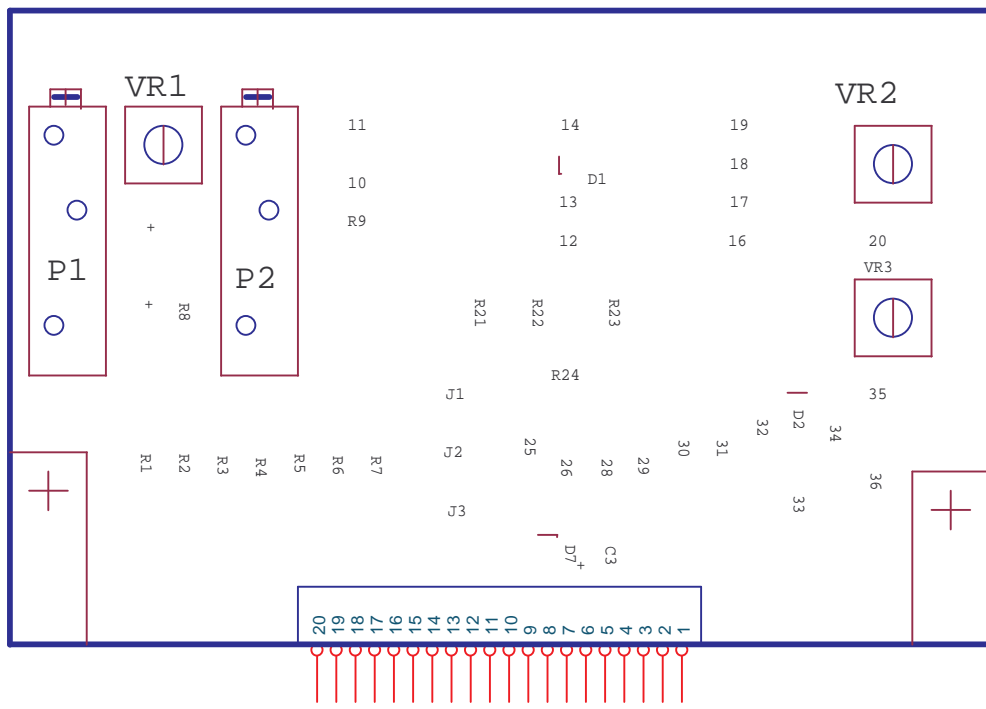


MOD 1
 PLACE J9 A SHORT FROM PIN 7 IC1 TO R9
 REMOVE BERG #13 REF



CIRCUIT IS FOR K 1200
 FOR J MAKE THESE CHANGES
 CHANGE R10 TO 100K
 CHANGE R7 TO 2.2K
 CHANGE R15, R13 47K
 CHANGE R12 1K
 REMOVE R11, Q1 PLACE J10
 CHANGE R22 TO 4.7K



delabs circuits and technologies
 delabs-circuits.com
 delabs.net

J AND K MODULE CARD

Size B	Document Number STC1000A.SCH	Rev 00
Date:	Sunday, August 24, 2003	Sheet 1 of 1