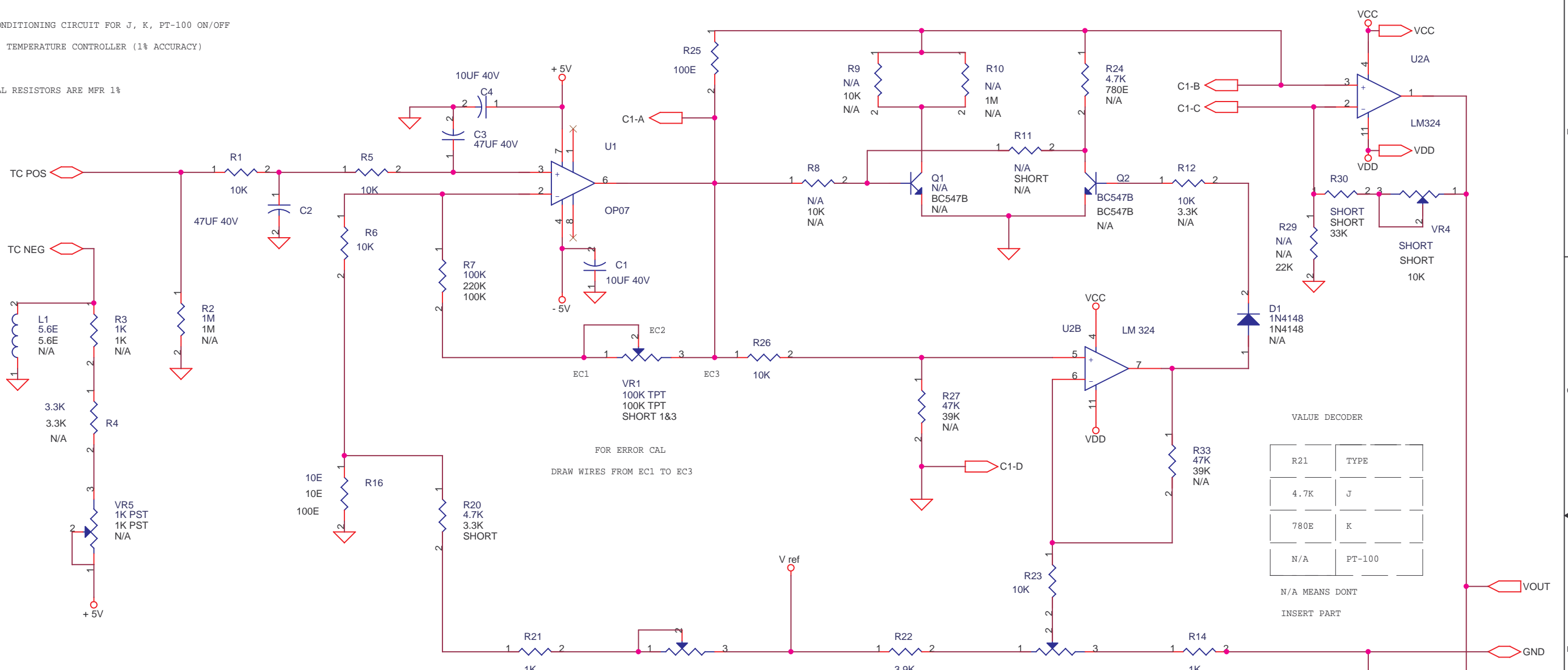


SIGNAL CONDITIONING CIRCUIT FOR J, K, PT-100 ON/OFF  
TEMPERATURE CONTROLLER (1% ACCURACY)

NOTE : ALL RESISTORS ARE MFR 1%

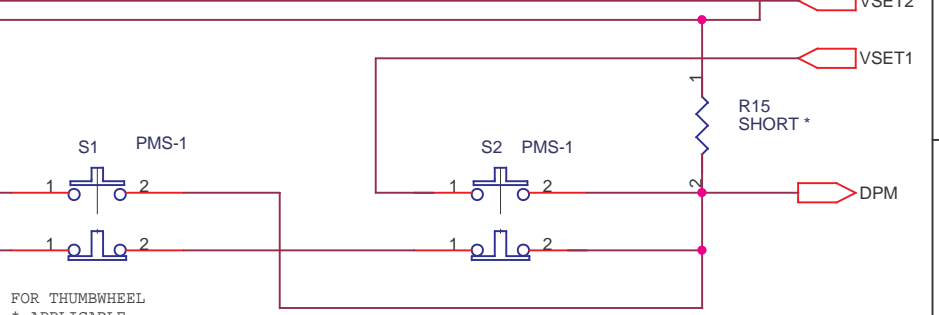
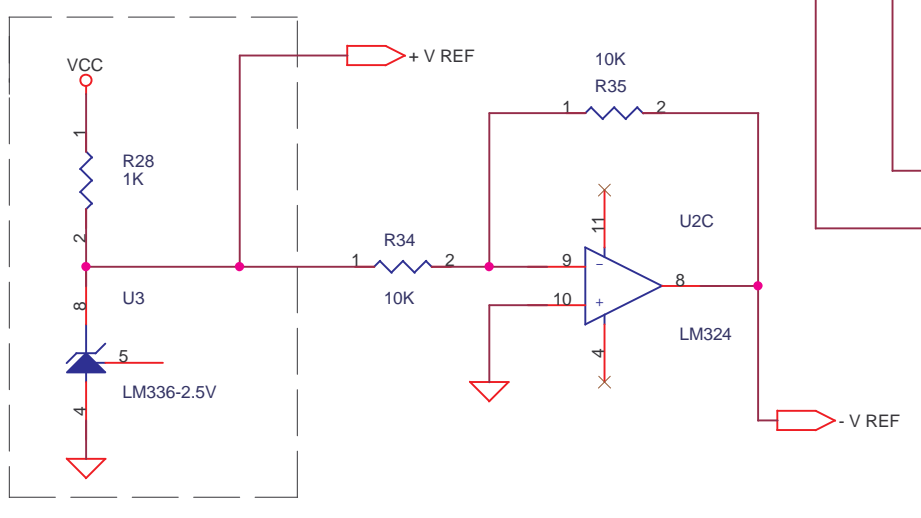
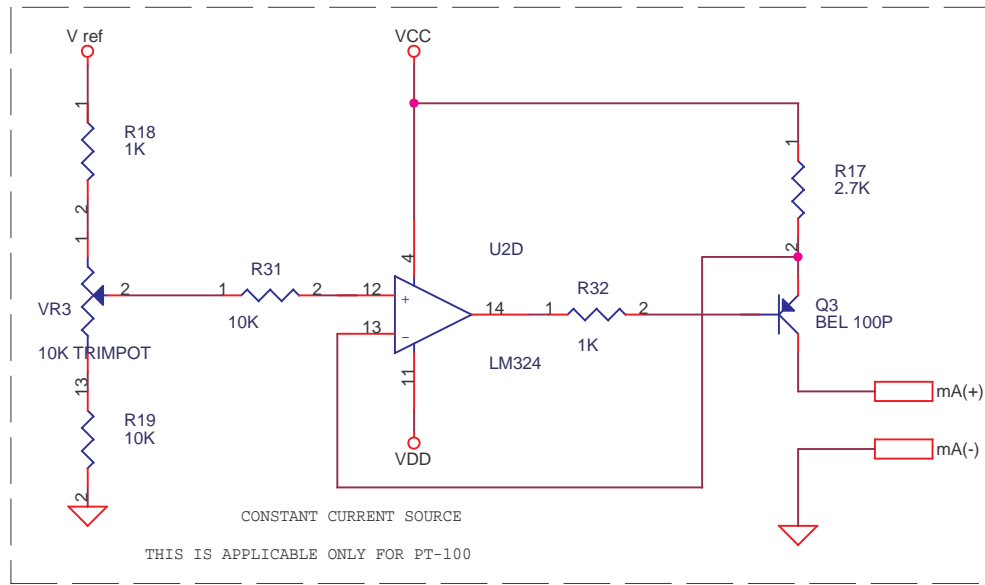


FOR ERROR CAL  
DRAW WIRES FROM EC1 TO EC3

VALUE DECODER

R21	TYPE
4.7K	J
780E	K
N/A	PT-100

N/A MEANS DONT  
INSERT PART



SIGMA TECHNOLOGIES  
NO 2590 17TH CROSS 8TH MAIN  
BANASHANKARI 2ND STAGE  
BANGALORE 560 070 INDIA

Title  
SIGNAL CONDITIONING CIRCUIT

Size B Document Number 98SPCT28.SCH Rev 00

Date: Wednesday, August 20, 2003 Sheet 1 of 1